

# INSTALLATION AND PRODUCT USE GUIDE

## Read all instructions completely before starting

Check to make sure you have received all of the parts shown within the shaded area for your system on the following 2 pages. Follow steps 1 through 6 for system installation. Steps A through F on page 8 are the RS purification cartridge replacement instructions. Visit our website and order online for replacement RS purification cartridges, and system parts.

**Seagull IV X-1F and Seagull IV X-1B** drinking water purification systems are designed for connection to the cold water supply line only (See illustrations on pages 2 and 3). They operate at pressures ranging from 25 to 125 psi. If pressure surges are a possibility, install a pressure regulator or surge protector.

Plumbing connections are  $\frac{3}{8}$ " tube male compression fittings ( $\frac{1}{16}$ " – 24 thread).

A  $\frac{3}{4}$ " diameter hole is necessary for mounting the FP Faucet furnished with the SGIV X-1F system.

**Be sure to close water supply valves before starting installation, or replacing cartridges.**



General Ecology, Inc.  
www.generalecology.com

# SEAGULL® IV DRINKING WATER PURIFICATION SYSTEMS



SEAGULL® IV X-1F



SEAGULL® IV X-2B

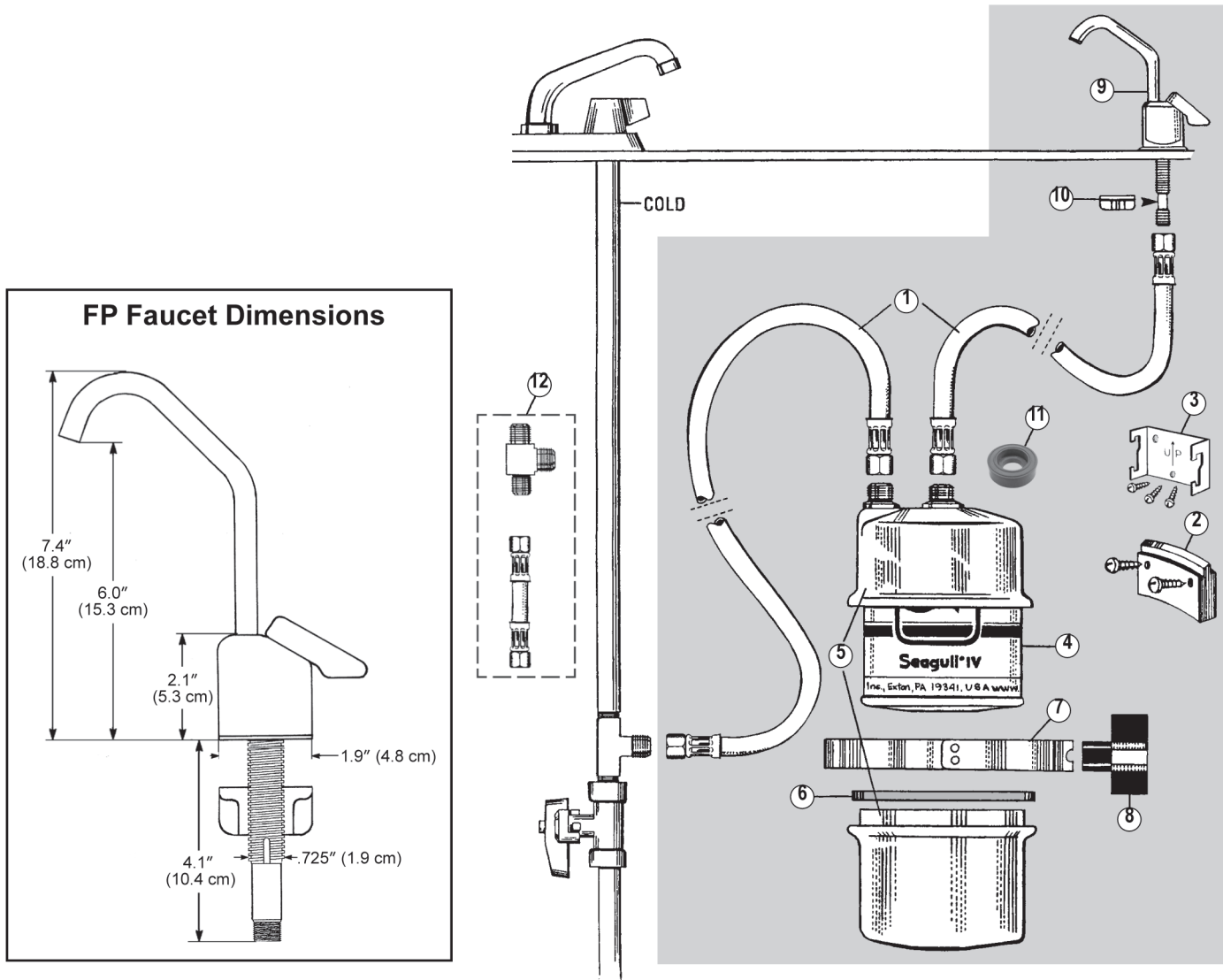


SEAGULL® IV X-1B

Independently Tested & Documented to Meet EPA Guide Standard and Protocol for Microbiological Purifiers Against Bacteria, Cysts & Viruses!

# SEAGULL® IV X-1F and X-1F RV/MARINE Drinking Water Purifier

Supplied Parts are shown within the shaded area.



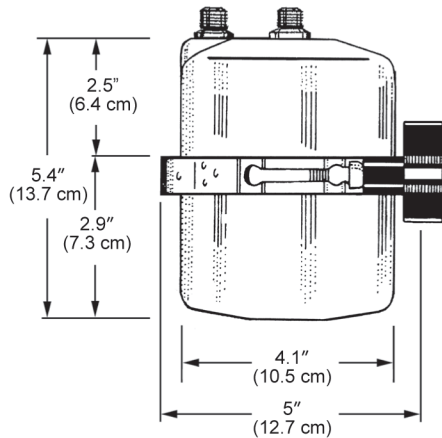
No.	Description	Qty.	Part No.	No.	Description	Qty.	Part No.
1	30" Female Compression Thread 3/8" Braided Connector Hose	2	800344	8	Wing Nut for V-Clamp	1	710032
2	Mounting Bracket Kit with 2 screws ( <i>Residential</i> ) or Bracket Mounting Clip with 3 screws ( <i>RV/Marine</i> )	1	700063	9	Faucet, FP threaded	1	707206
3	Bracket Mounting Clip with 3 screws ( <i>RV/Marine</i> )	1	700060	10	Faucet Mounting Nut	1	707106
4	RS-1SG Purification Cartridge	1	788000	11	Gasket, Cartridge Blue	1	710553
5	X-1 Pressure Vessel	1	—	<b>Optional Accessories for either System – Not Included</b>			
6	Gasket, Housing Blue	1	710550	12	6" Female Compression Thread 3/8" Braided Connector Hose with Male 3/8" Compression Tee	1	810320
7	V-Clamp for Housing	1	710534				

Visit our web site and order online at  
[www.generalecology.com](http://www.generalecology.com)

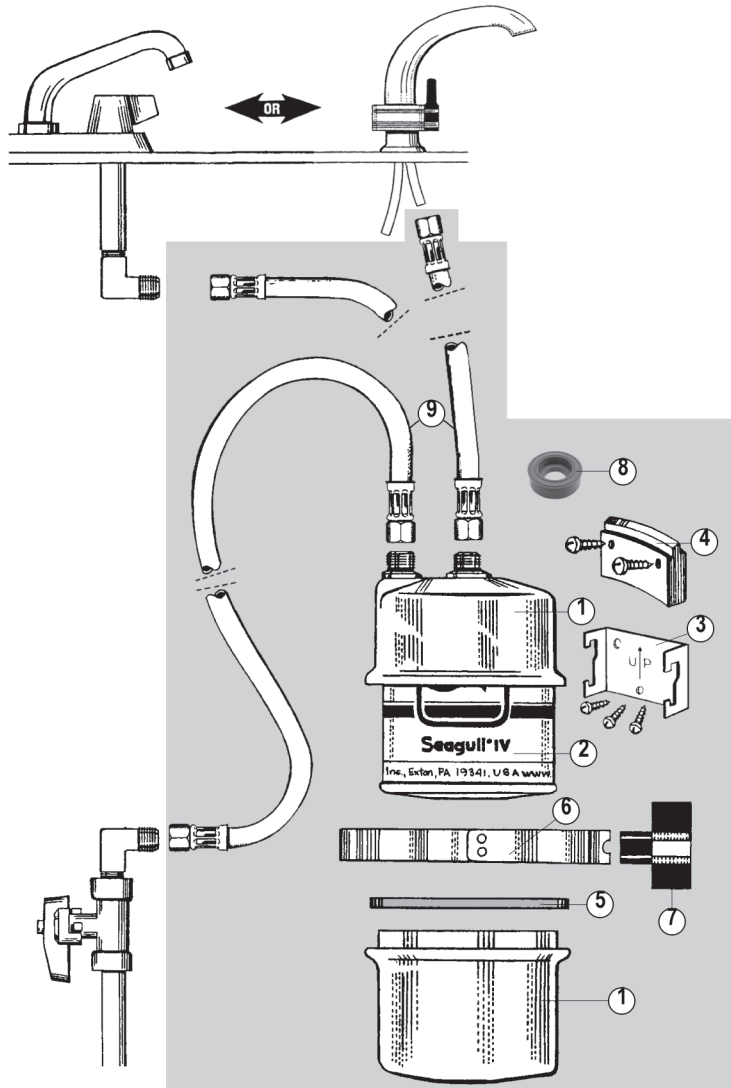
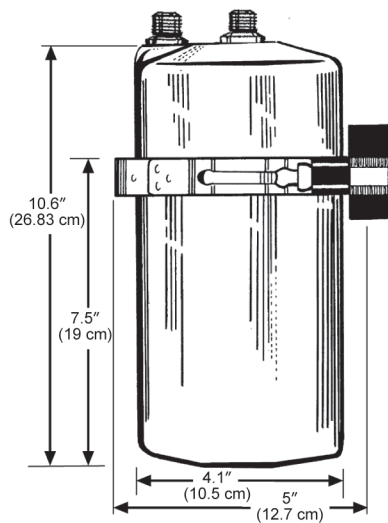
# SEAGULL® IV X-1B; X-2B; X-1B RV/MARINE Drinking Water Purifier

Supplied Parts are shown within the shaded area.

## X-1 Pressure Vessel Dimensions



## X-2 Pressure Vessel



No.	Description	Qty.	Part No.	No.	Description	Qty.	Part No.
1	X-1 Pressure Vessel	1	—	5	Gasket, Housing Blue	1	710550
2	RS-1SG Purification Cartridge	1	788000	6	V-Clamp for Housing	1	710534
—	RS-2SG Purification Cartridge (not shown – X2 housing only)	1	789000	7	Wing Nut for V-Clamp	1	710032
3	Mounting Bracket Kit with 2 screws (Residential) or	1	700063	8	Gasket, Cartridge Blue	1	710553
4	Bracket Mounting Clip with 3 screws (RV/Marine)	1	700060	9	30" Female Compression Thread 3/8" Braided Connector Hose	2	800344

## General Installation Instructions

Please retain for future servicing of your SEAGULL®IV Water Purifier



### STEP 1

#### Installation of RS-1SG/RS-2SG Purification Cartridge

Installing supplied purification cartridge into your system. See page 8 instructions for replacements.

### Blue Gaskets

Seagull IV X-1 and X-2 systems are now supplied with Blue Cartridge and Housing Gaskets. Although earlier gaskets continue to function reliably and effectively, these gaskets are more environmentally friendly. The Cartridge Gasket offers increased convenience, eliminating the need for adhesives. Once a new Cartridge Gasket is firmly pushed on, do not loosen or remove it, except when replacing. When replacing purification cartridge check to ensure Cartridge Gasket is firmly in place.

Cartridge Gasket  
(pn 710553)



Housing Gasket  
(pn 710550)



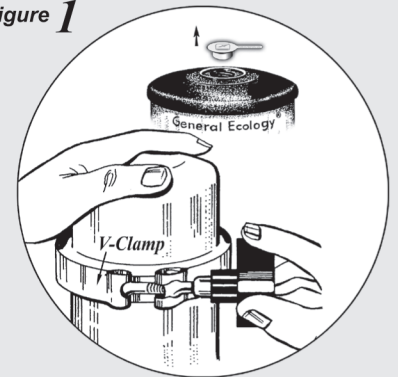
## Preliminary:

If needed, purchase and install a 3/8" compression fitting Connector T (available from General Ecology), or Elbows in cold water supply line. Be sure to close water supply valves before starting.

### 1. Open Canister.

Remove V-Clamp (Fig. 1) and separate Pressure Vessel upper and lower halves. Remove small plastic protective cover from the cartridge.

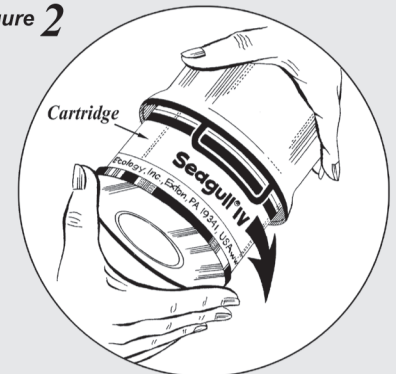
Figure 1



### 2. Install Cartridge.

Thread Cartridge (Fig. 2) into top half of Pressure Vessel (Be careful not to cross thread) until contact is first made with blue Cartridge Gasket. **Then tighten 1/4 turn only. Do not overtighten.** Check that Pressure Vessel Flanges and Blue Housing Gasket are clean and free of dents, nicks or cuts.

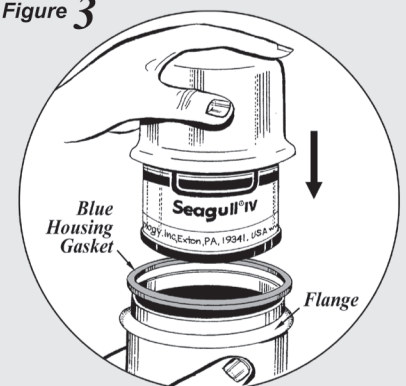
Figure 2



### 3. Reassemble Pressure Vessel.

Place blue Housing Gasket on Flange of lower half of Pressure Vessel (Fig. 3) and reassemble. The Wing Nut on the V-Clamp should be tightened snugly, by hand only. **Use no tools to tighten.**

Figure 3



## STEP 2

### Connect to your existing Cold Water Supply

Turn off water supply before starting, follow instructions that match your system configuration.

### Seagull IV X-1F System,

you may need to purchase a Compression T with  $\frac{3}{8}$ " male fitting to install in the existing cold water line. See parts illustration on **page 2**.

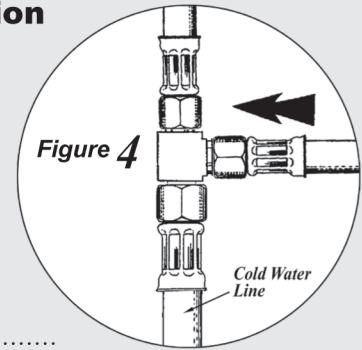
**or**

### Seagull IV X-1B System,

you may need to purchase either a compression T, Elbows, or other fittings with  $\frac{3}{8}$ " male fittings to connect to the existing cold water line. See parts illustration on **page 3**.

## For SGIV X-1F Configuration

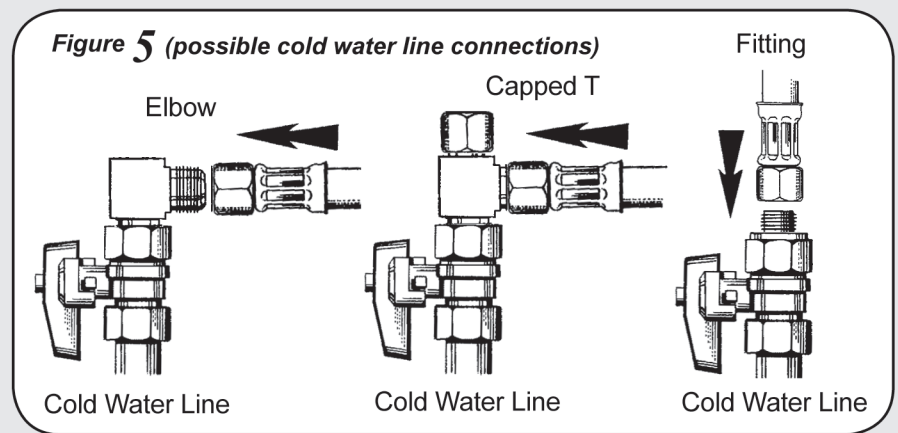
1. Connect side leg of installed Compression T with a Connector Hose. Tighten but do not overtighten.



**or**

## For SGIV X-1B Configuration

1. Attach a Connector Hose to  $\frac{3}{8}$ " Male Compression Fitting installed on the cold water supply line. Do not overtighten.



## STEP 3

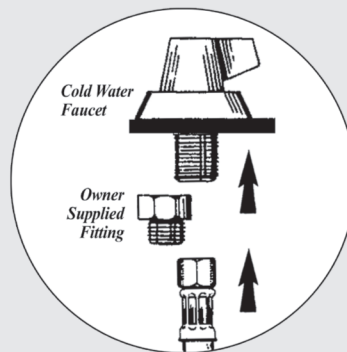
### Connect to existing Kitchen Faucet Configurations

Follow this step if you are installing the SGIV X-1B/X-2B model

## QUESTIONS?

Call Customer Service at  
1-800-441-8166 for Help

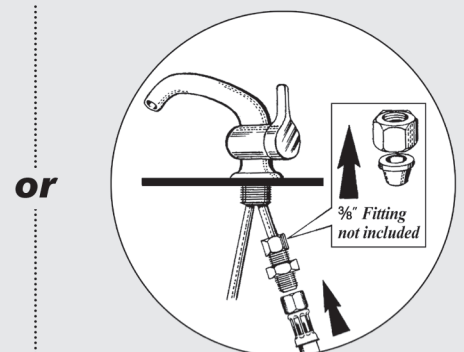
Figure 6



### 1. Install Connector Hose

If kitchen faucet has  $\frac{1}{2}$ " pipe thread stem, connect owner supplied  $\frac{1}{2}$ " Female Pipe Thread x  $\frac{3}{8}$ " Male Compression Fitting to cold water side of kitchen faucet (Fig. 6). Install 2nd Connector Hose to this Fitting. Tighten  $\frac{1}{2}$  turn beyond "finger tight." Do not overtighten.

Figure 7



### 2. Install Connector Hose

If kitchen faucet has  $\frac{3}{8}$ " tubing tails, install a Compression Fitting (owner supplied), to cold water side (Fig. 7). Install 2nd Connector Hose to Fitting. Tighten  $\frac{1}{2}$  turn beyond "finger tight." Use wrench to hold Fitting—do not twist faucet tail.

## STEP 3

### Connecting, Installation and Care of the FP Faucet

Follow this step if you are installing the supplied FP faucet (X-1F model).

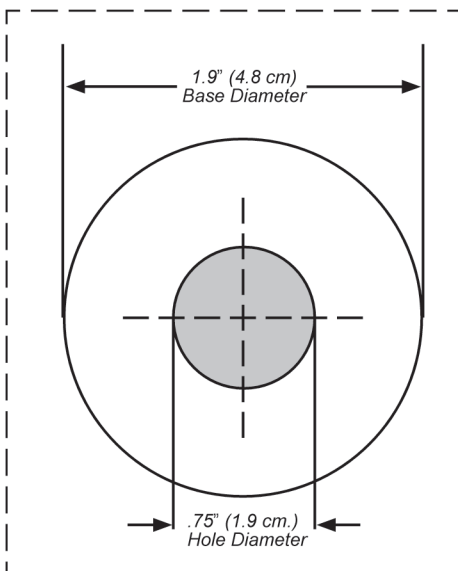
### Mounting Hole Drilling Instructions

Cut out Mounting Pattern and use for rough positioning. Tape pattern in place, then for final positioning place Faucet on pattern on top of sink/counter top and check for correct position of faucet body, spout and lever. Make sure of clearance, above and below before drilling  $\frac{3}{4}$ " mounting hole.

Be sure sink/counter top surface at drill hole is **flat** and **burr free**.

Sinks and counter tops made of porcelain, stainless steel, stone or man-made material require special care. We suggest you consult the manufacturer's guidelines or contact your dealer for best results in drilling the  $\frac{3}{4}$ " hole necessary to mount the faucet.

### Mounting Hole Pattern for FP Faucet



### 1. Install Faucet.

The SGIV X-1F system is furnished with General Ecology's FP Ceramic Disc Faucet. If a suitable hole isn't available, prepare a  $\frac{3}{4}$ " hole to install your faucet by following **Mounting Hole Drilling Instructions** in the left column.

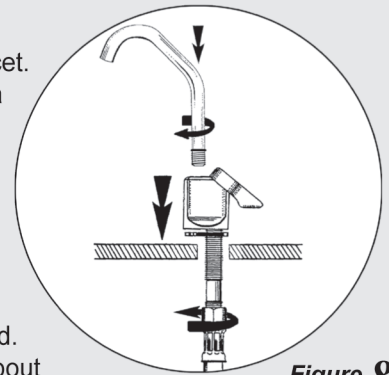


Figure 8

2. **Connect 2nd Hose** directly to Faucet Stem and tighten securely by hand. **Do not overtighten.** Insert and thread Spout into base, **Do not over tighten.** (Fig. 8) Drop free end of Connector Hose through previously prepared hole and position Faucet in hole.

3. **Mount Faucet.** Slide open side of Faucet Mounting Nut onto reduced diameter, un-threaded section of Faucet Stem now beneath the sink/counter (Fig. 9). Slide the Nut upwards to contact the threads. Then carefully engage the threads, being careful to not cross thread. Hand tighten as necessary to hold the Faucet in place, **Do not use tools and do not overtighten.** Check alignment and position of Faucet, and adjust as necessary.

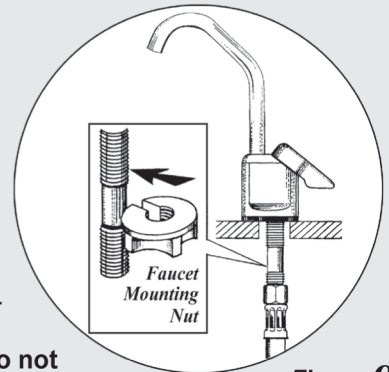
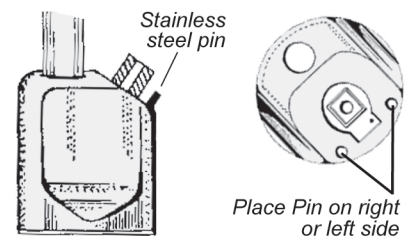


Figure 9

General Ecology, Inc. purifiers feature stainless steel pressure vessels and ports. Faucets are manufactured with the finest components available. If properly cared for, these finishes can provide a lifetime of elegance. Chrome finishes can be damaged by abrasive cleaners, in spite of their hardness. To clean surfaces properly, use a small amount of a non-abrasive liquid detergent and a soft wet cloth. Gently rub the soiled surface until the dirt is removed. Then rinse clean and wipe with a dry soft cloth to remove water drops and to prevent spotting. Do not use any abrasive or pumice type cleansers to clean the surfaces of faucets, or you may permanently scratch or otherwise damage the faucet coating. Hard water may leave mineral deposits or "water spots". If not cleaned regularly, these deposits may resist cleaning with simple liquid detergents. These can usually be removed using a small amount of vinegar applied directly and rubbing with a soft cloth. Heavy deposits may require repeated applications

It is important to note control handle position and "pull direction" to insure adequate clearance. Also note the "swing feature" of the faucet's spout that allows different mounting options.

#### To change "pull direction" of handle



To change "pull direction" of handle on faucet, lift handle off stem and reposition stainless steel pin to the alternate location. Reinstall handle.

## **STEP 4**

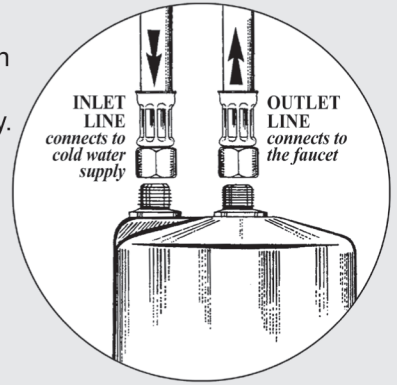
### **Hose Connections to Vessel**

Make sure the outlet hose going to your faucet is connected to the center outlet port.

#### **1. Connect Outlet line**

(Fig. 10) Connect free end of Connection Hose from faucet to Outlet (center) Port on the Pressure Vessel. Tighten securely. **Do not overtighten.**

*Figure 10*



#### **2. Connect Inlet line**

Connect second Hose from owner supplied fitting on cold water supply line to Inlet (outside) Port on top of Pressure Vessel. **Do not overtighten.**

## **STEP 5**

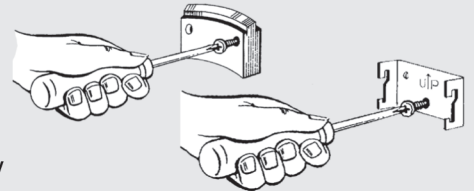
### **Mounting Bracket Installation**

Check location for clearances and ease of access.

#### **1. Install Residential Mounting Bracket or Clip Mounting Bracket**

(Fig. 11). Position Mounting Bracket on the inside wall of the sink cabinet. Use the Self-Tapping Screws to securely install the Bracket. Make sure the Bracket location permits access to the cold water valve location and easy access for Cartridge changes.

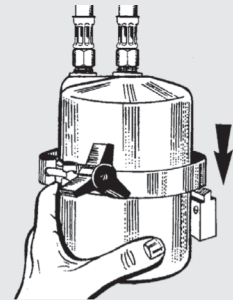
*Figure 11*



#### **2. Mount unit on the Residential Bracket**

by placing the V-Clamp over the raised section on top of the Bracket (Fig. 12).

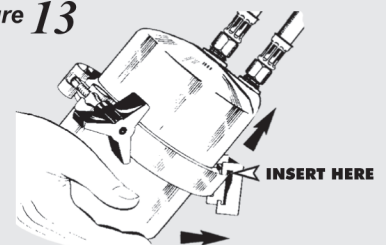
*Figure 12*



#### **3. Mount unit on the RV/ Marine Clip Bracket**

as shown (Fig. 13). A cotter pin or other pin, or wire can be inserted in the bracket, above the V-clamp to lock in place (see arrow) after unit is completely on the bracket.

*Figure 13*



### **Service Cartridges**

If you cannot obtain a replacement cartridge from your kitchen and bath dealer, you can order directly by calling 800-441-8166 Monday – Friday between 8:00am – 4:30pm est, or visit our on line store at [www.generalecology.com](http://www.generalecology.com)

### **Warranty**

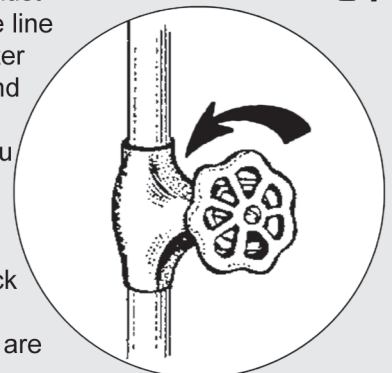
Refer to the Warranty Card. Please remember to complete and return the Warranty Card within ten days of purchase. You can also register on line at: [www.generalecology.com](http://www.generalecology.com)

## **STEP 6**

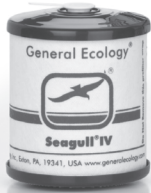
### **System Operation**

**1. Open the Faucet** to allow air to exhaust slowly. Open Valve on cold water service line (Fig. 14). Check for any leaks. Allow water to run for several minutes to clear line and system of air and any loose materials. Please note that for the first few days you may see entrapped air bubbles within the water. This is perfectly normal and will cease after the unit has processed several gallons of water. Also, some black “fines” from inside of cartridge may flow with the first few gallons of water. These are harmless, if consumed.

*Figure 14*



## Cartridge Replacement Instructions



### Helpful Hints

If you have difficulty separating the upper and lower halves of the pressure vessel, water pressure can help. Turn off cold water supply; remove the V-clamp and close the pure water faucet. With a pan ready to catch water from the unit, slowly turn on the water supply. Once the unit begins to separate, turn off the water supply and proceed according to your Installation and Operations instructions.

You may apply a light coating of petroleum jelly to the housing gasket to assure ease of opening and closing of the system.

When a new cartridge is put into service, you may see air bubbles and black particles in the water until the system has stabilized. These are harmless.

All Seagull IV X-1 units employ the RS-1SG Cartridge. The rated average capacity for the RS-1SG Cartridge is 1,000 gallons. Actual capacity will vary depending on operating conditions and the quality of the water source. Cartridges should be replaced when the flow rate decreases or when foul tastes or odors become apparent, or annually otherwise. Installing a Cartridge is easily accomplished as follows:

- A. Close cold water supply valve.
- B. Open Faucet, and keep it open until new Cartridge is installed and operating.
- C. Remove unit from Mounting Bracket, place over a large sauce pan or other container, remove V-Clamp and drain loose water from Pressure Vessel. (If Pressure Vessel halves remain attached due to "set," pull apart manually or see Helpful Hints on the left. Reopen faucet before continuing with next step).
- D. Remove expended Cartridge by placing plastic bag over it and turning counter clockwise. Close bag and discard. Rinse inside of Pressure Vessel with water and wipe clean with paper towel. Be sure thick Blue Cartridge Gasket is firmly in place inside the top of the unit.
- E. Align and carefully thread new Cartridge into place **UNTIL CONTACT IS FIRST MADE WITH BLUE CARTRIDGE GASKET, THEN TIGHTEN ONE QUARTER TURN ONLY. DO NOT OVERTIGHTEN.** Please refer to Step 1 and Figure 2. Reassemble the two stainless steel halves together, making sure the blue Housing Gasket is in place between the two halves. **IMPORTANT:** Make sure Gasket is not cut or nicked, and be sure housing has not been dropped or dented on either of the two mating halves.
- F. Refer to Step 6 System Operation on page 7 to place unit back in service.

### Other Great Products Available from General Ecology, Inc.



### Seagull®IV X6 Water Purification Systems



General Ecology, Inc.  
A Loar Group Company



AS9100D: 2016, EN9001D: 2016, JISQ9100: 2016, ISO9001: 2015  
Original Equipment and FAA PMA Manufacturer